

Technical Data for Water Flow Meters & Water Flow Controllers

Specification	L Series	LC Series	LCR Series	Description
Available Ranges	0.5CCM to 10LPM	5CCM to 500CCM	1LPM to 5LPM	Full Scale
Accuracy	± 2 %			Full Scale
Repeatability	± 2 %			Full Scale
Operating Range	2% to 100% Full Scale			Measure or Control
Typical Response Time	20	100		Milliseconds (Adjustable)
Operating Temperature	+10 to + 50			°Celsius
Zero Shift	0.02%			Full Scale / °Celsius / Atm
Span Shift	0.02%			Full Scale / °Celsius / Atm
Flow Rate	128% Measurable	102.4% Controllable		Full Scale
Common Mode Pressure	100			PSIG
Supply Current	0.035	0.250	0.750	Amp
Supply Voltage	7—30 ¹	12—30 ¹	24-30	Vdc
Input /Output Signal Digital	Pressure, Temperature and Flow			RS-232 Serial
Input /Output Signal Analog	Volumetric Flow			0-5Vdc
Optional Input / Output Signal Secondary Analog	Pressure, Temperature or Flow			0-5 Vdc; 0-10Vdc;4-20mA ¹
Electrical Connections	8 Pin			Mini-DIN
Mounting Attitude Sensitivity	None	Control response somewhat sensitive to inverted operation.		Tare after installation
Wetted Materials ²	303 & 302 Stainless Steel, Viton®, Polyetherimide, Silicon, Glass. LC and LCR Controllers Add: 400 Series Stainless Steel, Nickel. LC Controllers only also add Brass.			

1. 15 volts required for 4-20mA output.
2. If your application demands a different material, please contact Application Assistance for available options.

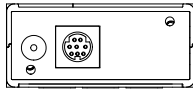
Mechanical Specifications

Full Scale Flow	Mechanical Dimensions	Process Connections ¹	Pressure Drop ² (PSID)
L Series			
0.5CCM to 1CCM	4.4"H x 2.4"W x 1.1"D	M-5 (10-32) Female Thread*	2.0
2CCM to 500CCM	4.6"H x 2.4"W x 1.1"D	1/8" NPT Female	2.0
1LPM			4.0
2LPM	4.8"H x 2.7"W x 1.1"D	1/4" NPT Female	4.0
5LPM			10.0
10LPM			20.0
LC Series			
5CCM to 50CCM	4.6"H x 3.6"W x 1.1"D	1/8" NPT Female	5.0
100CCM			5.0
200CCM to 500CCM			7.5
LCR Series			
1LPM	5.5"H x 7.9"W x 2.3"D	1/8" & 1/4" NPT Female	4.0
2LPM	5.7"H x 6.7"W x 2.3"D	1/4" NPT Female	4.0
5LPM			10.0

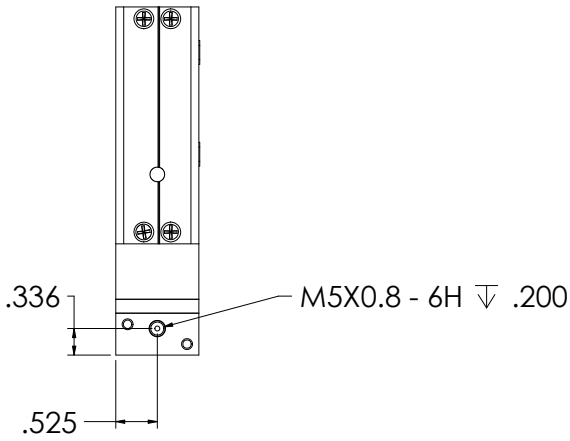
*Units ≤1CCM F.S. are shipped with M-5 (10-32) Male Buna-N O-ring face seal to 1/8" Female NPT fittings.

These adaptor fittings were selected for customer convenience in process connection. It should be noted that the 1/8" Female NPT introduces additional dead volume. To minimize dead volume, please see [Accessories](#) for the M-5 (10-32) Male to 1/8"OD compression fitting.

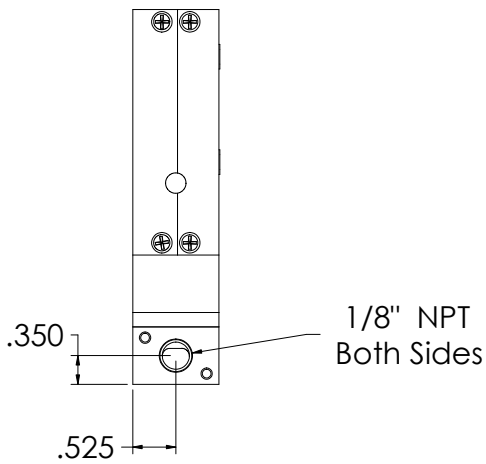
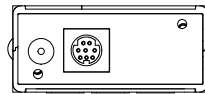
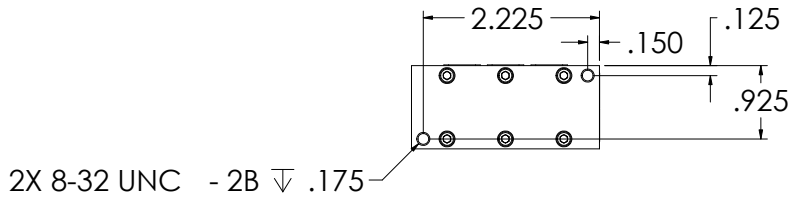
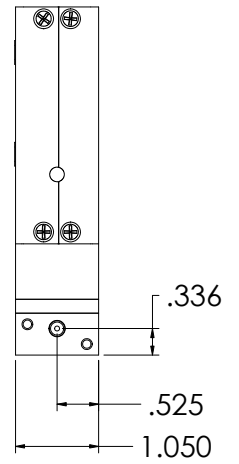
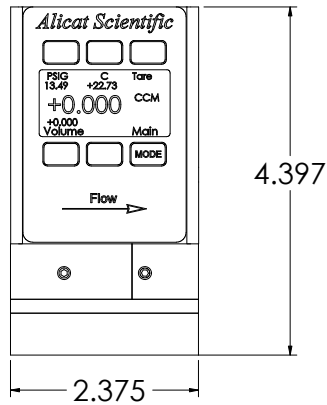
- Compatible with Beswick®, Swagelok® tube, Parker®, face seal, push connect and compression adapter fittings.
- Lower Pressure Drops Available, Please contact the manufacturer.



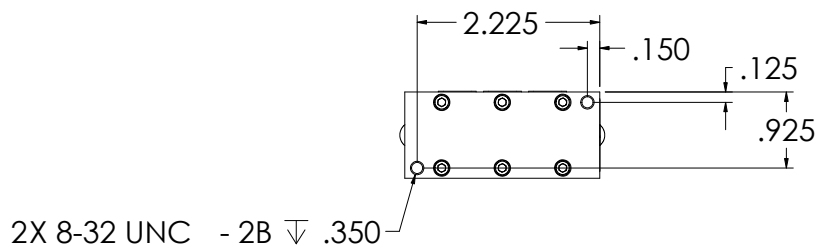
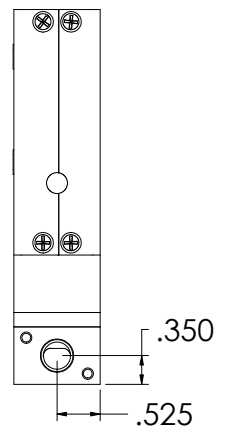
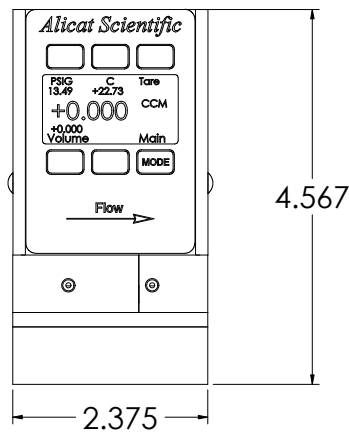
L Series:
0 - 0.5CCM
0 - 1CCM



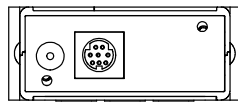
M5X0.8 - 6H ∇ .200



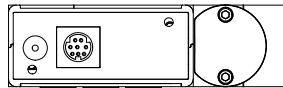
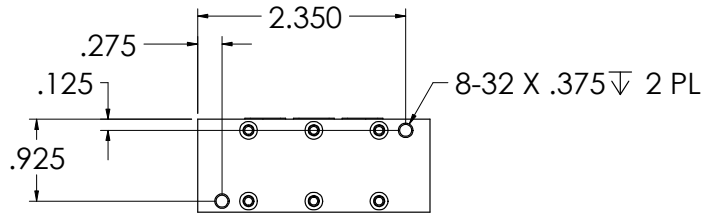
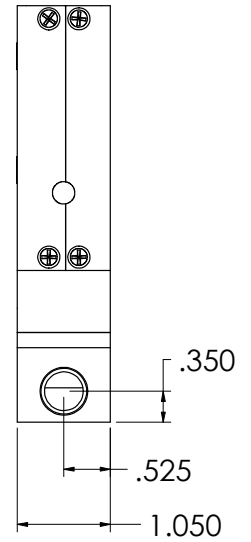
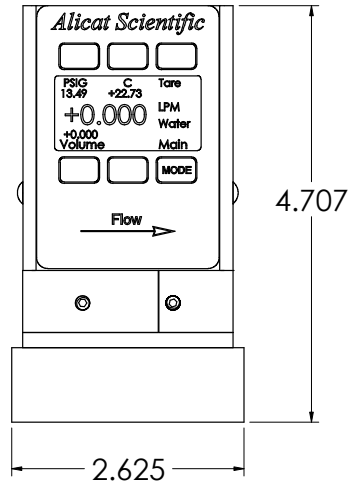
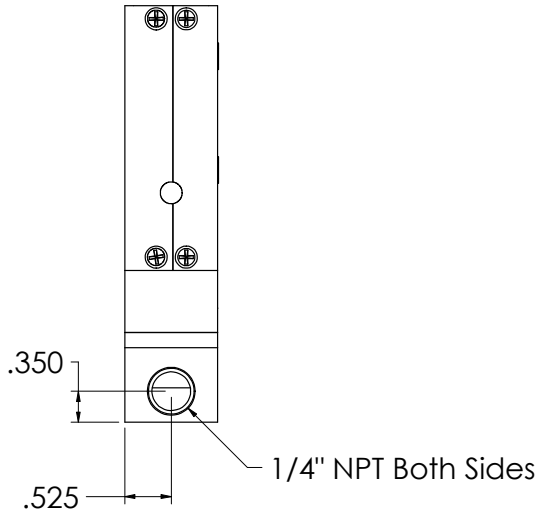
1/8" NPT
 Both Sides



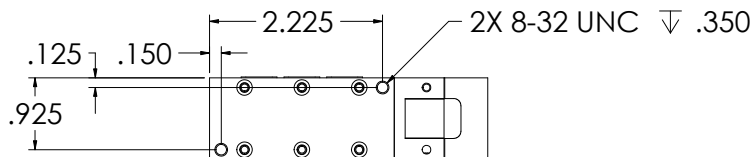
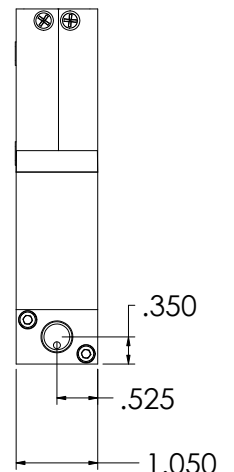
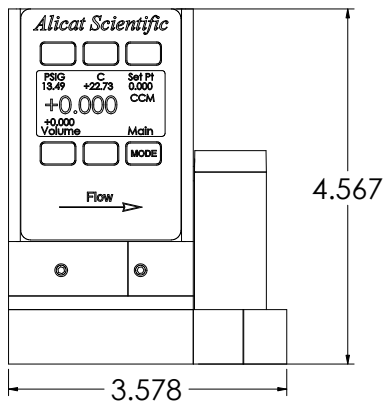
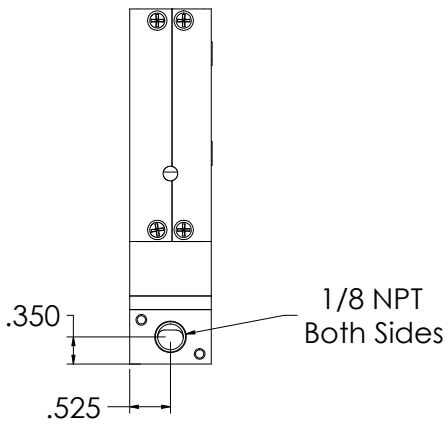
L Series:
0 - 2CCM
0 - 5CCM
0 - 10CCM
0 - 20CCM
0 - 50CCM
0 - 100CCM
0 - 200CCM
0 - 500CCM
0 - 1LPM



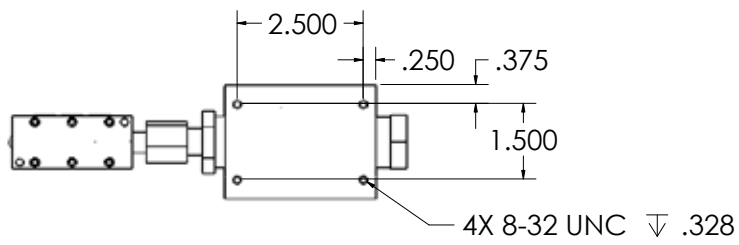
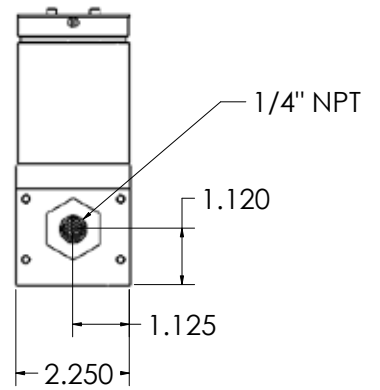
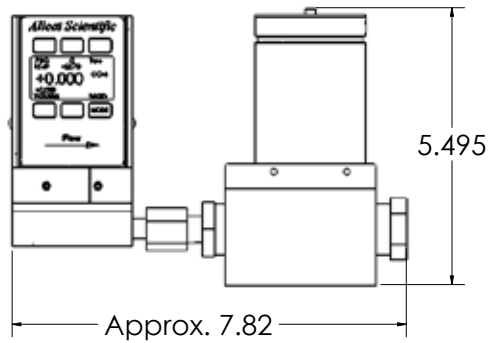
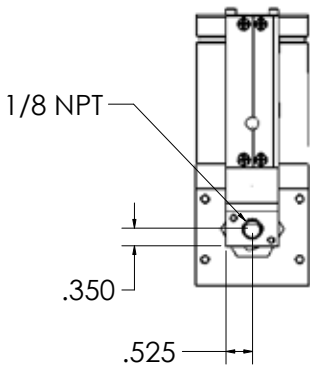
L Series:
 0 - 2LPM
 0 - 5LPM
 0 - 10 LPM



LC Series:
 0 - 5CCM
 0 - 10CCM
 0 - 20CCM
 0 - 50CCM
 0 - 100CCM
 0 - 200CCM
 0 - 500CCM



**LCR Series:
0 - 1LPM**



**LCR Series:
0 - 2LPM
0 - 5LPM**

